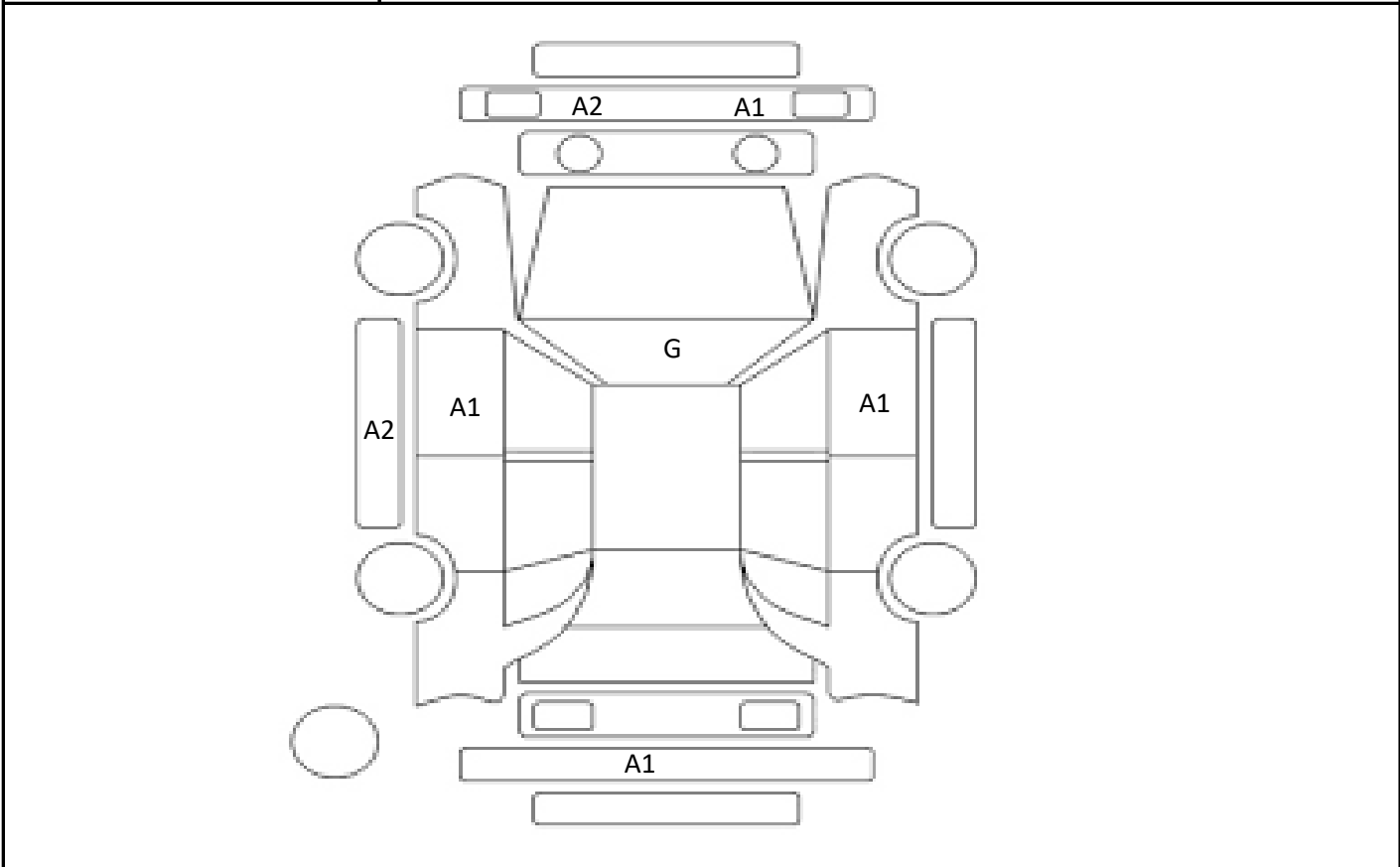


DATE
2024/10/8

Car Number	Chassis Number
F22-I37	ZVW50-6112170



(Remark)

A(Scratch)      U(Dent)      S(Rust)      W(Uneven paint)      X(Crack)      C(Corrode)      P(Paint Faded)  
 XX(Replacement)      X(Replacement requires)      G(Stone chip in the glass)      Scale: 1 < 2 < 3 < 4