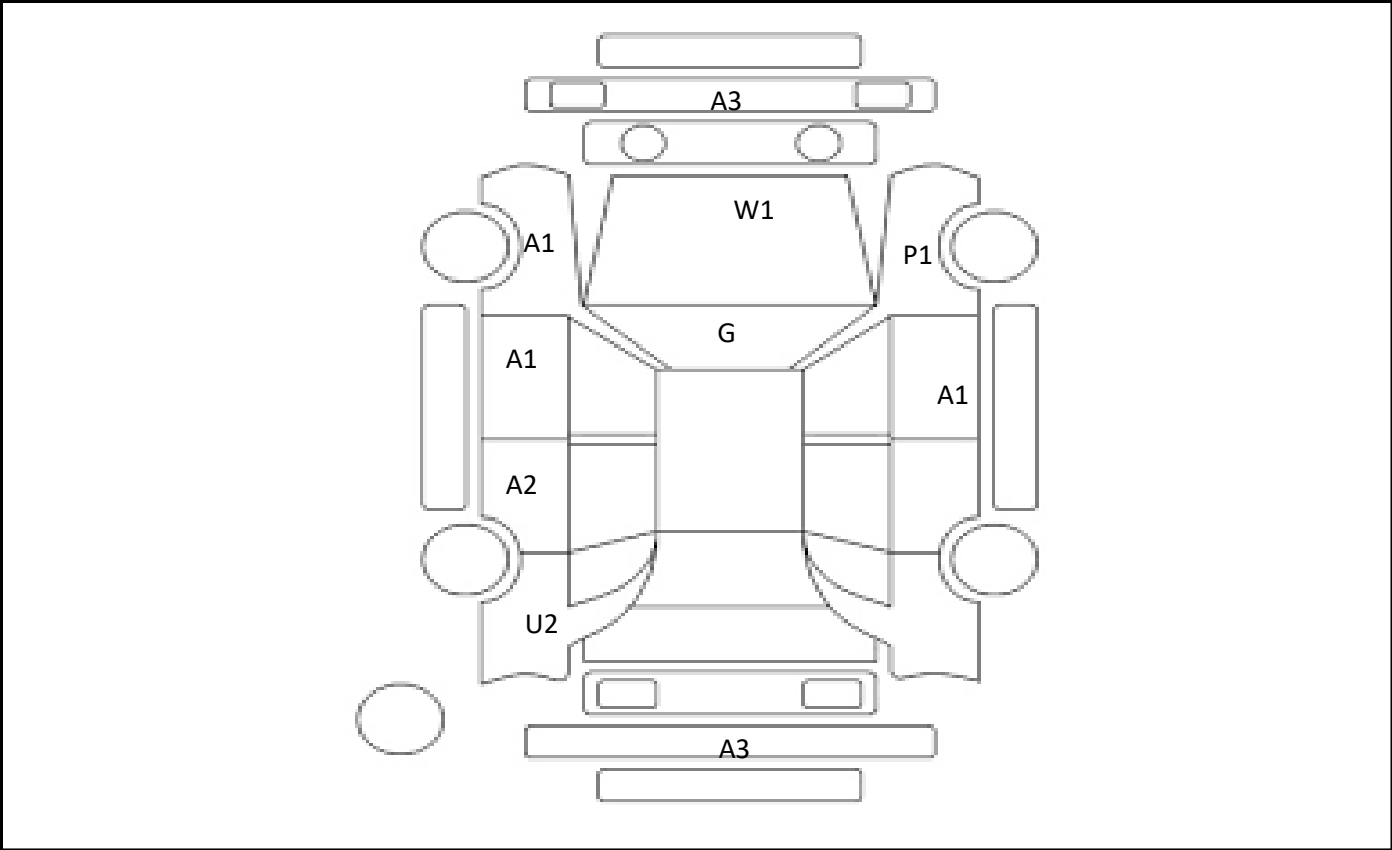


| |
|----------|
| DATE |
| 2024/5/8 |

| | |
|------------|----------------|
| Car Number | Chassis Number |
| F21-D75 | NHW20-3262810 |



(Remark)

A(Scratch) U(Dent) S(Rust) W(Uneven paint) X(Crack) C(Corrode) P(Paint Faded)
 XX(Replacement) X(Replacement requires) G(Stone chip in the glass) Scale: 1 < 2 < 3 < 4