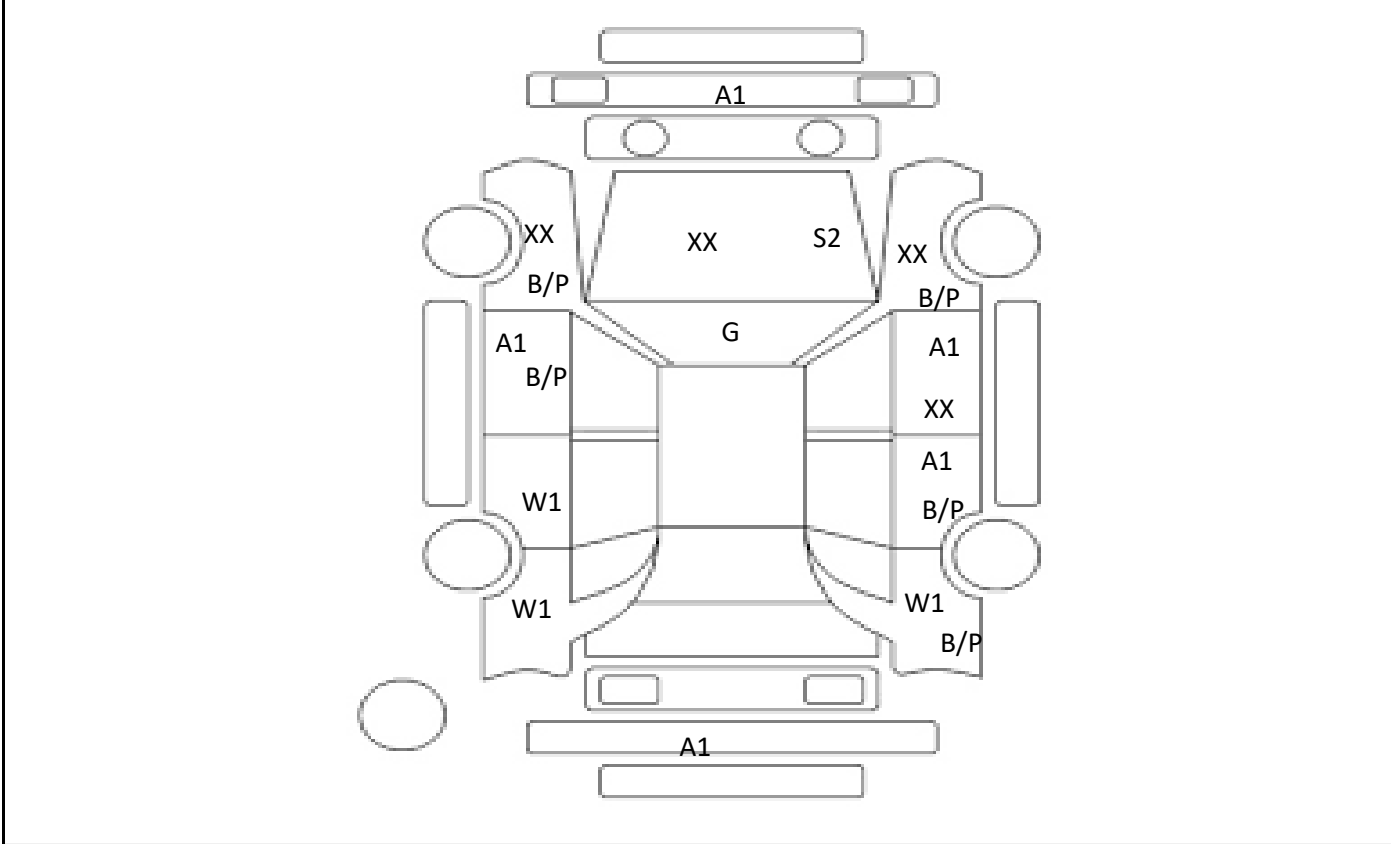


Car Number	Chassis Number
F19-D52	ZGE20-0013909



(Remark)
Smoking smell

A(Scratch) U(Dent) S(Rust) W(Uneven paint) X(Crack) C(Corrode) P(Paint Faded)

XX(Replacement) X(Replacement requires) G(Stone chip in the glass) Scale: 1 < 2 < 3 < 4